



# Amplified Inductive Sensors Ø 4



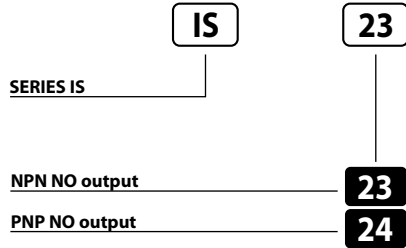
AMPLIFIED INDUCTIVE SENSORS 10÷30 V DC 3 WIRES NPN OR PNP OUTPUT

- Three-wire, shielded sensors
- 10 to 30 VDC, NPN or PNP
- NO select

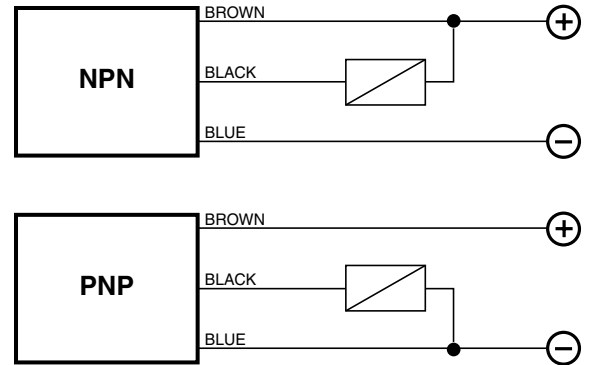
## IS Series



### Identification code



### Wiring diagrams



	SHIELDED
NOMINAL SWITCHING DISTANCE (Sn)	<b>0,8 mm</b>
NOMINAL VOLTAGE	10 ÷ 30 VDC (-15 / +10%)
RESIDUAL RIPPLE	≤ 10%
HYSTERESIS	< 10%
MAX. OUTPUT CURRENT	100 mA
RESIDUAL CURRENT	≤ 10 mA
VOLTAGE DROP (Sensor ON)	< 1 V (I = 100 mA)
OPERATION LED	Present
SWITCHING FREQUENCY	800 Hz
START UP DELAY	≤ 50 mS
REPEATABILITY	≤ 1%
SHORT CIRCUIT PROTECTION	Present (self-resetting)
ELECTRIC PROTECTIONS	Against polarity reversal - inductive loads
TEMPERATURE LIMITS	- 25 ÷ +60 °C
PROTECTION DEGREE	IP 67
CABLE LENGTH	2 m
CABLE SECTION	3 x 0.14 mm <sup>2</sup>
HOUSING MATERIAL	Stainless-steel
WEIGHT - Cable output -	50 g
WEIGHT - K connector output -	-

### Dimensions (mm)

CONFIGURATION WITH CABLE

