

Diffuse Ref. Photoelectric Sensors



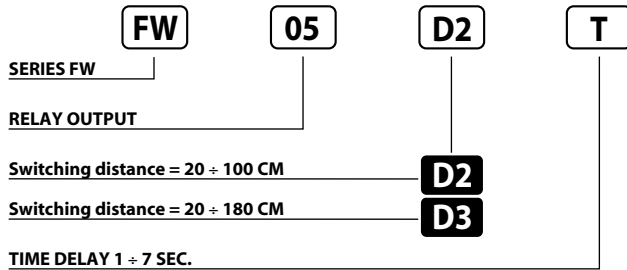
PH. SENSORS IN RECTANGULAR HOUSING 12 ÷ 240 V DC 24 ÷ 240 V AC WITH TIMER RELAY OUTPUT

- **Wide input voltage**
- **Rectangular compact size**
- **Multi-function timer:**
- **ON/OFF delay**
- **One shot-four functions**
- **3A relay SPDT**
- **Conduit wiring terminal block**

FW Series



Identification code



AVAILABLE	D2	D3
SWITCHING DISTANCE	20 ÷ 100 cm ⁽¹⁾	20 ÷ 180 cm ⁽²⁾
HYSTERESIS	10%	
EMISSION	Infrared (875 nm)	
NOMINAL VOLTAGE	18 ÷ 230VDC / 24 ÷ 240 VAC (-15 / +10%)	
NET FREQUENCY	45 ÷ 60 Hz	
OUTPUT	Relay (40 x 10 ⁶ mec. op. - 5 x 10 ⁶ elect. op.)	
MAX OUTPUT CURRENT	3A 250VAC - 3A 30VDC	
ABSORPTION	≤ 2W (2.5 VA)	
YELLOW LED	Light on indicator	
GREEN LED	Supply indicator	
SENSITIVITY ADJUSTMENT	Present	
TIME REGULATION	0.1 ÷ 7 s ± 2 s (only models with timer)	
SWITCHING FREQUENCY	10 Hz	
RESPONSE TIME	100 mS	
START UP DELAY	≤ 300 mS	
TEMPERATURE LIMITS	-10° ÷ +60°C	
LIGHT IMMUNITY	> 10.000 Lux ⁽³⁾	
PROTECTION DEGREE	IP 67	
CONNECTIONS	Screw	
CABLE GUIDE	PG 13.5	
HOUSING MATERIAL	Housing: ABS - Lenses: methacrylate	
WEIGHT (Approximately)	110 g	

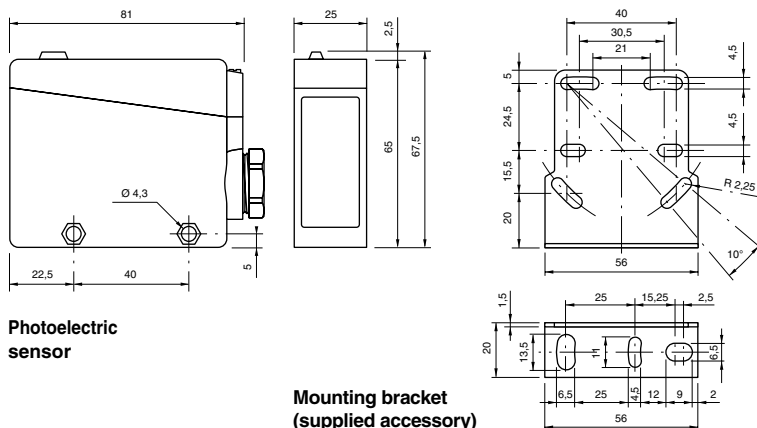
⁽¹⁾ Determined with a white mat paper cm 10 x 10.

⁽²⁾ Determined with a white mat paper cm 20 x 20.

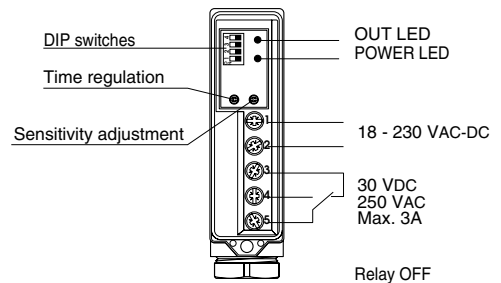
⁽³⁾ Determined with halogen tungsten lamp 3000° K.

Note: for a proper use see norms at pages 7, 8, 9 and 10.

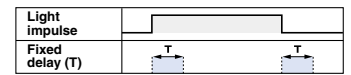
Dimensions (mm)



Wiring diagrams



Timing diagrams



ALL MODELS

NO.	FUNCTION	DIP SWITCHES	OUTPUT DIAGRAM
1	Muting	1 2 3 4 OFF	Not activated relay

MODELS WITHOUT TIMER

1	N. ON	1 2 3 4 ON	Normally activated relay
2	N. OFF	1 2 3 4 OFF	Normally not activated relay

MODELS WITH TIMER

1	Delay on operate output ON	1 2 3 4 ON	Normally activated relay
2		1 2 3 4 OFF	Normally not activated relay
3	Delay on operate output OFF	1 2 3 4 ON	Normally activated relay
4		1 2 3 4 OFF	Normally not activated relay
1	One shot trailing edge output ON	1 2 3 4 ON	Normally activated relay
2		1 2 3 4 OFF	Normally not activated relay
3	One shot trailing edge output OFF	1 2 3 4 ON	Normally activated relay
4		1 2 3 4 OFF	Normally not activated relay

Characteristic curves

