

# Diffuse Ref. Photoelectric Sensors



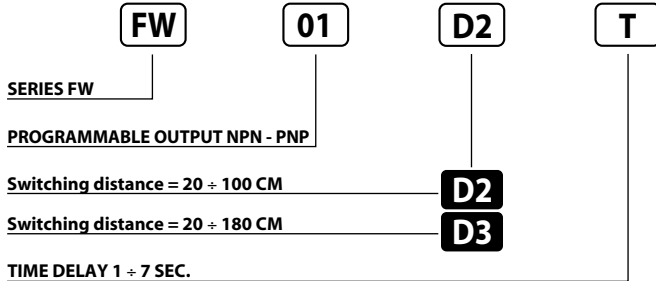
PHOTOELECTRIC SENSORS IN RECTANGULAR HOUSING 12 ÷ 30 V DC WITH TIMER PROGRAMMABLE OUTPUT

- **Rectangle compact size**
- **Multi-function timer**
- **ON/OFF delay**
- **One shot-four functions**
- **NPN or PNP programmable output**
- **Conduit wiring terminal block**

## FW Series



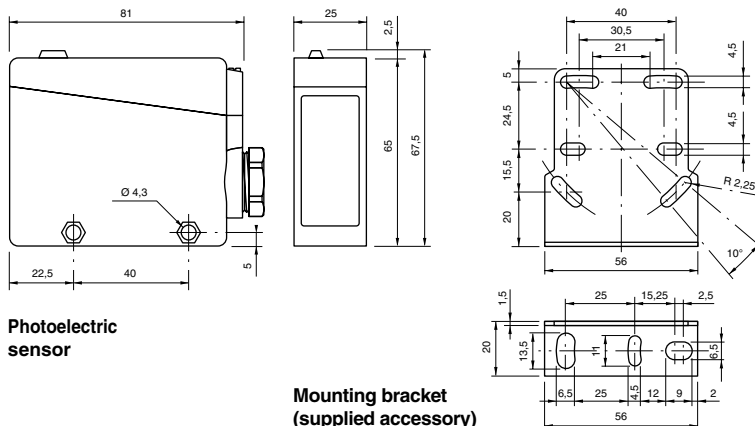
### Identification code



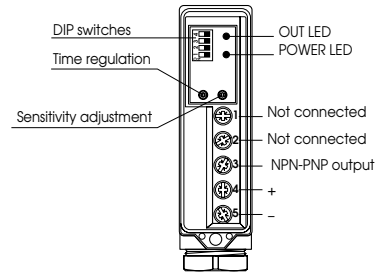
AVAILABLE	D2	D3
SWITCHING DISTANCE	20 ÷ 100 cm <sup>(1)</sup>	20 ÷ 180 cm <sup>(2)</sup>
HYSTERESIS	10%	
EMISSION	Infrared (875 nm)	
NOMINAL VOLTAGE	12 ÷ 30VDC (-15 /+10%)	
RESIDUAL RIPPLE	≤ 10%	
OUTPUT	NPN or PNP (programmable)	
MAX OUTPUT CURRENT	200 mA	
ABSORPTION	≤ 40 mA	
VOLTAGE DECREASE	≤ 2.5 VDC	
YELLOW LED	Light on indicator	
GREEN LED	Supply indicator	
SENSITIVITY ADJUSTMENT	Timmer 1 turn	
TIME REGULATION	0.1 ÷ 7 s ± 2 s (only models with timer)	
SWITCHING FREQUENCY	200 Hz	
RESPONSE TIME	5 mS	
START UP DELAY	≤ 300 mS	
PROTECTION AGAINTS SHORT-CIRCUIT	Present (self-resetting)	
TEMPERATURE LIMITS	-10° ÷ +60°C	
LIGHT IMMUNITY	>10.000 Lux <sup>(3)</sup>	
PROTECTION DEGREE	IP 67	
CONNECTIONS	Screw	
CABLE GUIDE	PG 13.5	
HOUSING MATERIAL	Housing: ABS - Lenses: methacrylate	
WEIGHT (Approximately)	110 g	

(1) Determined with a white mat paper cm 10 x 10.  
 (2) Determined with a white mat paper cm 20 x 20.  
 (3) Determined with halogen tungsten lamp 3000° K.  
 Note: for a proper use see norms at pages 7, 8, 9 and 10.

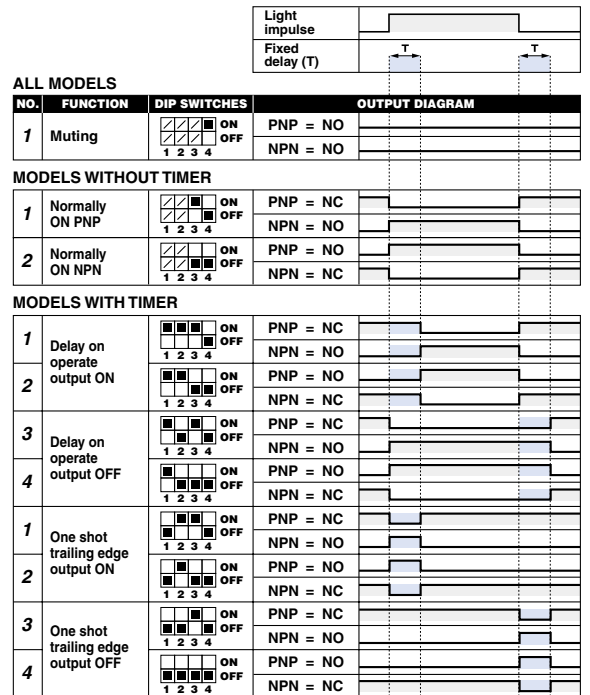
### Dimensions (mm)



### Wiring diagrams



### Timing diagrams



### Characteristic curves

